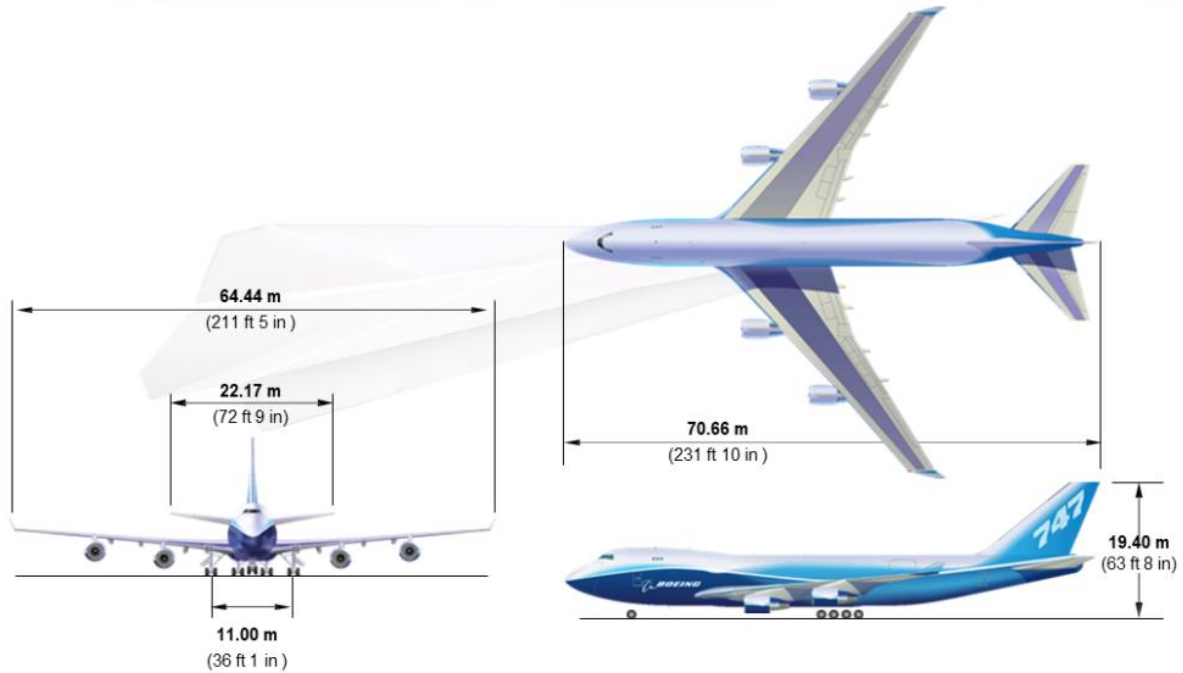


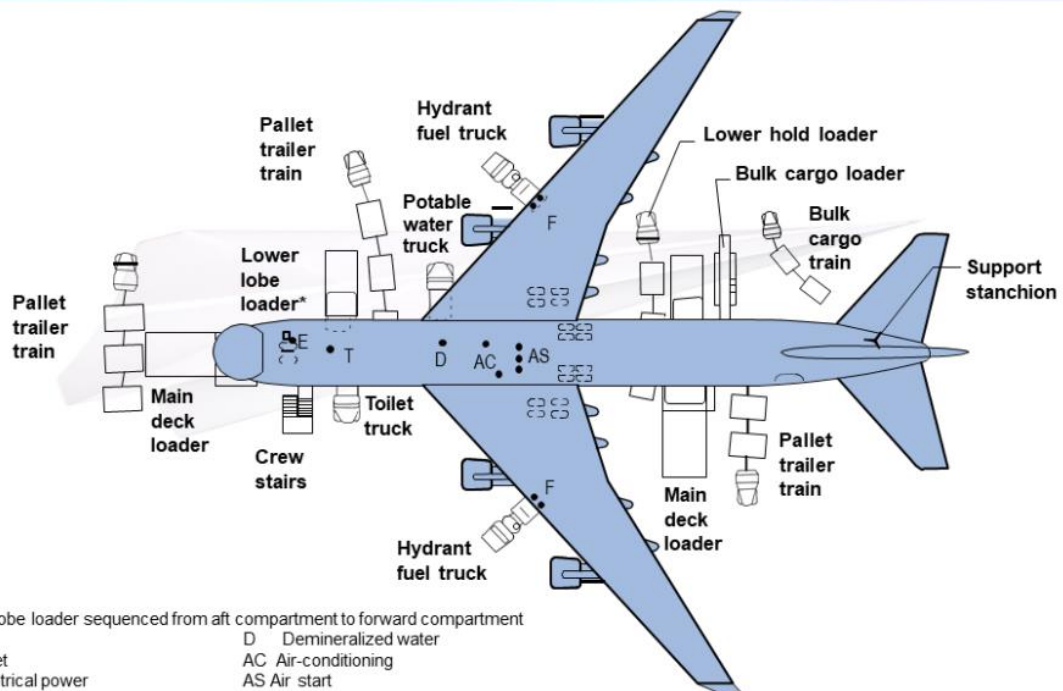
B747-400F

**SPECIFICATIONS /
ESPECIFICACIONES**

747-400/-400ER Freighters

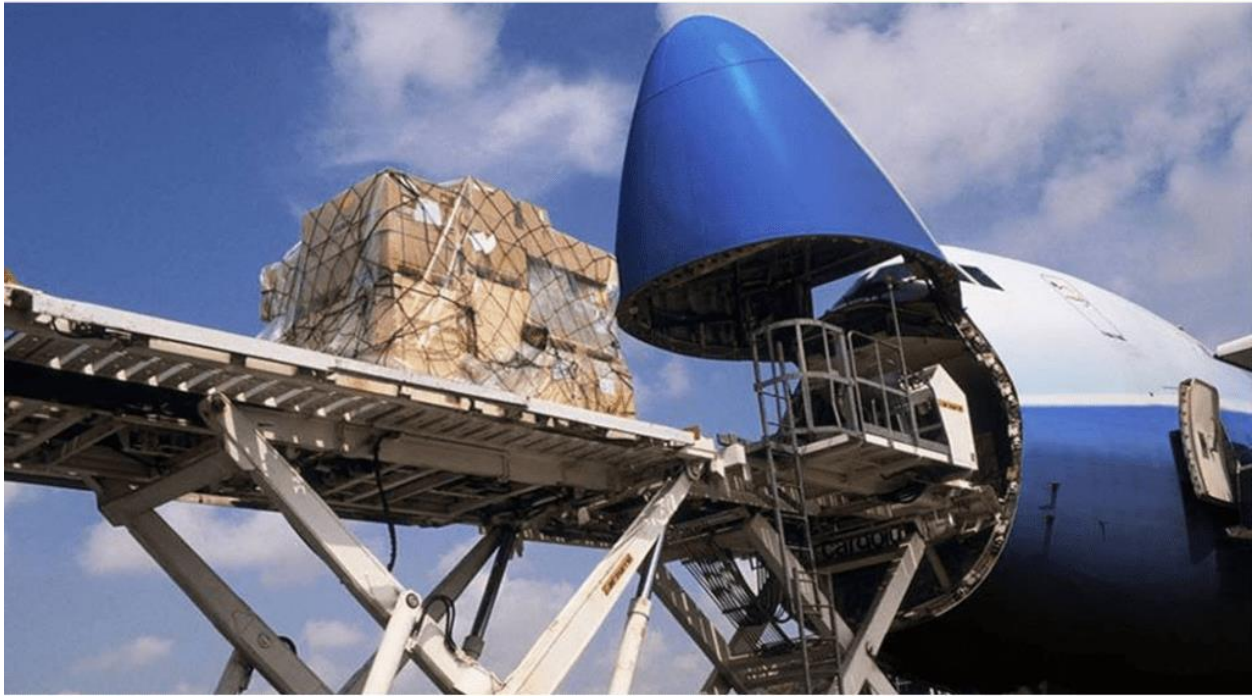


747-400/-400ER Freighter Servicing arrangement, open ramp operation



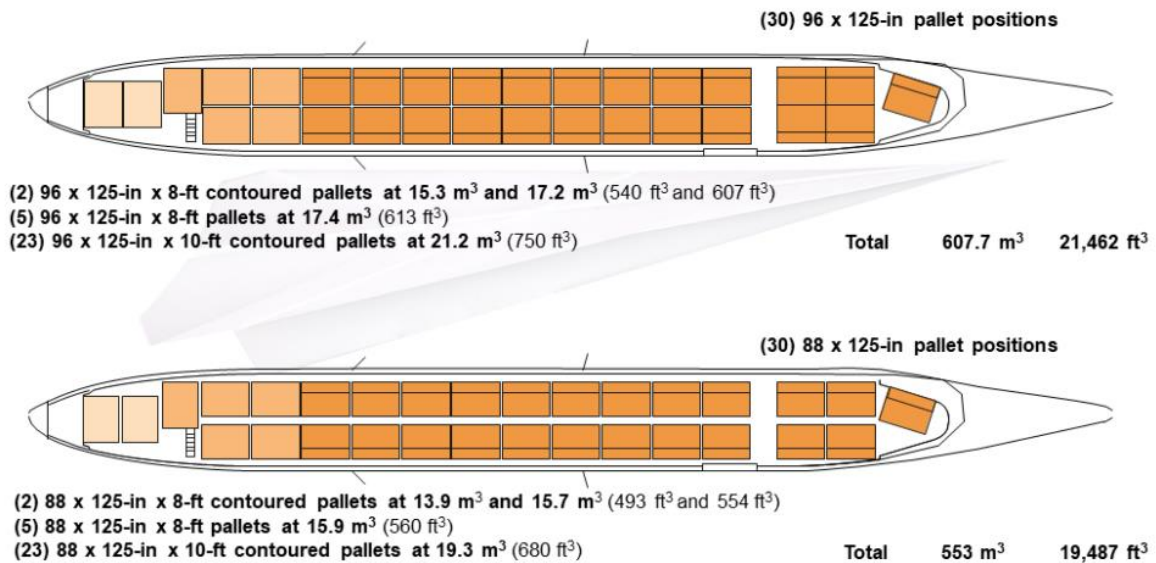
747-400/-400ER Freighter

Nose door adds tremendous value



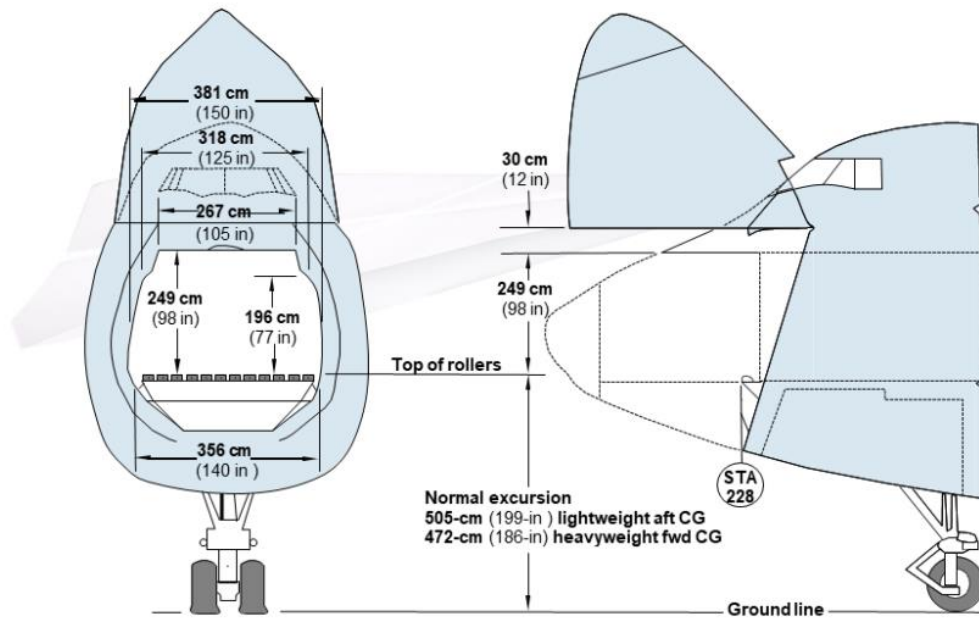
747-400 Freighter

Main deck cargo arrangements



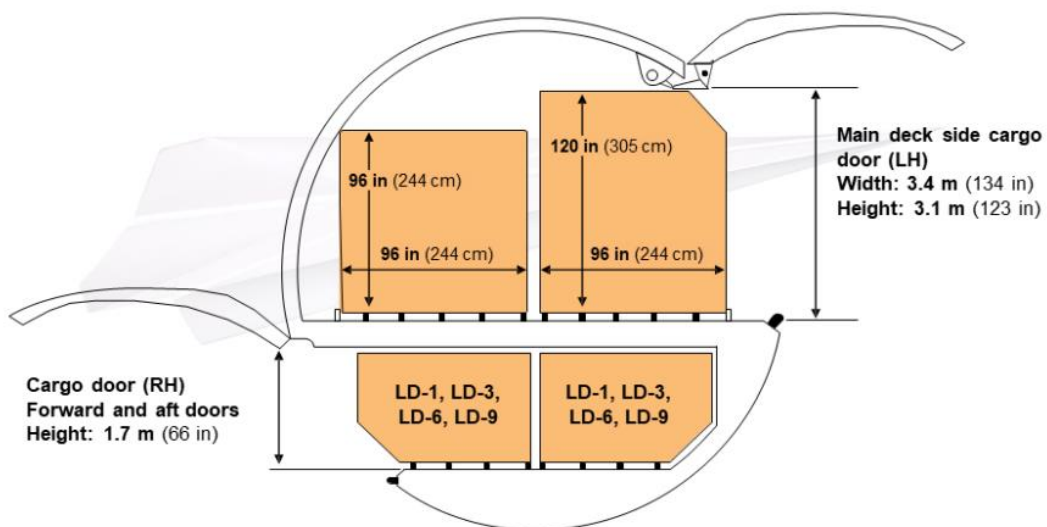
747-400/-400ER Freighter

Nose cargo door



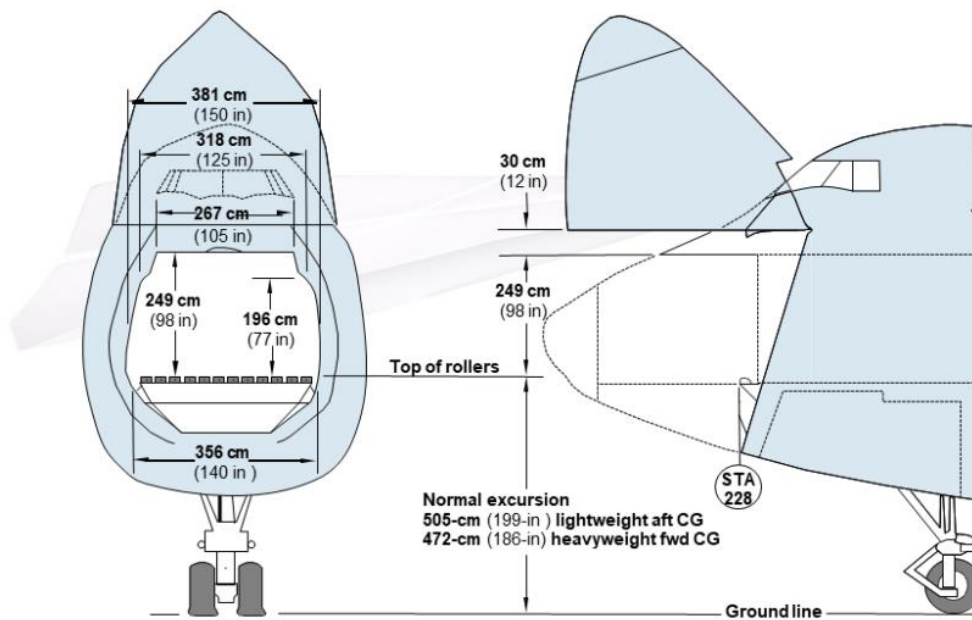
747-400/-400ER Freighters

Cross section



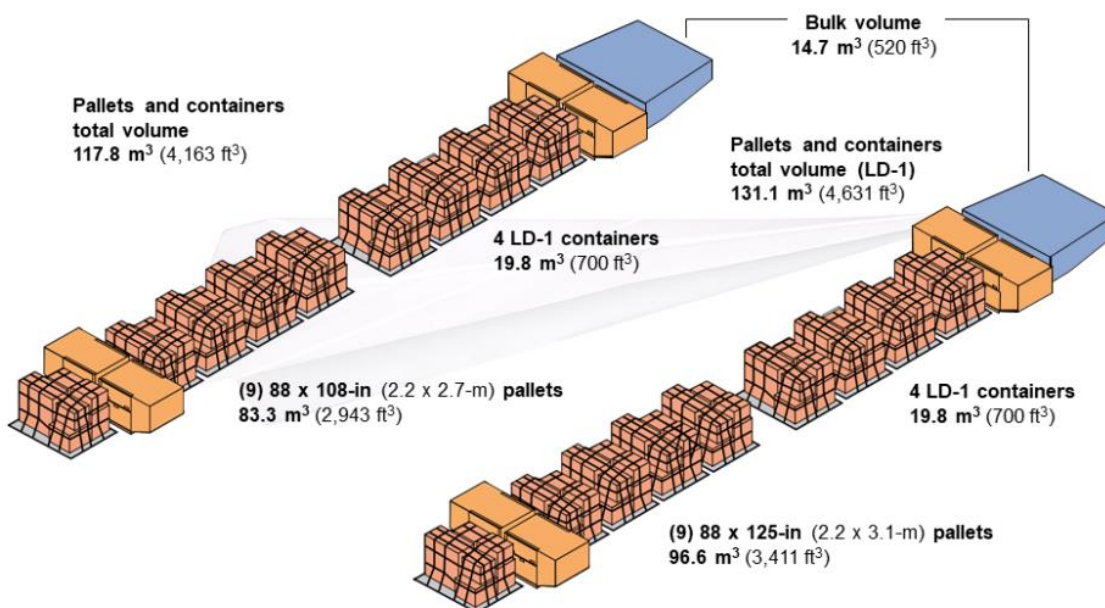
747-400/-400ER Freighter

Nose cargo door



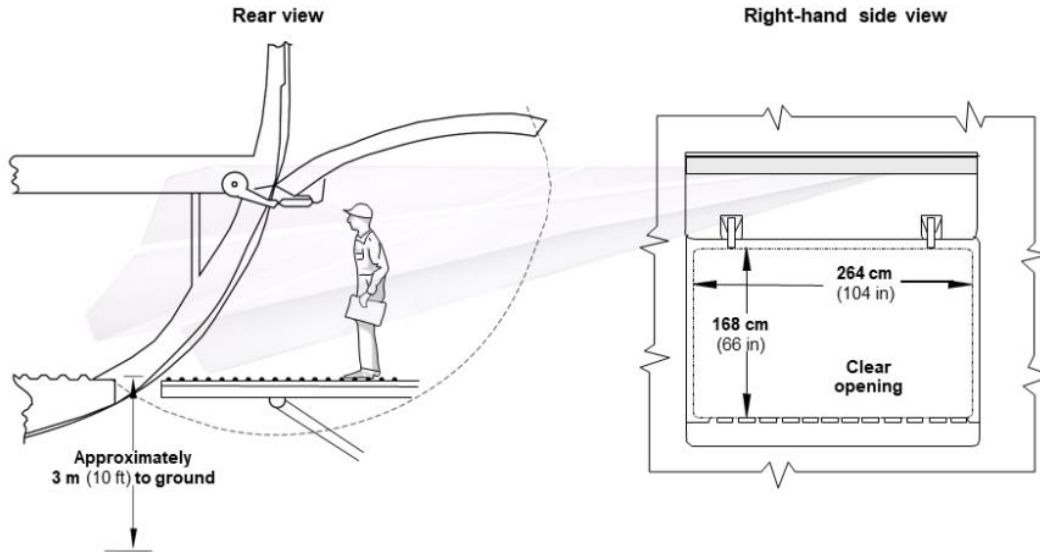
747-400/-400ER Freighter

Lower hold cargo arrangements



747-400/-400ER Freighter

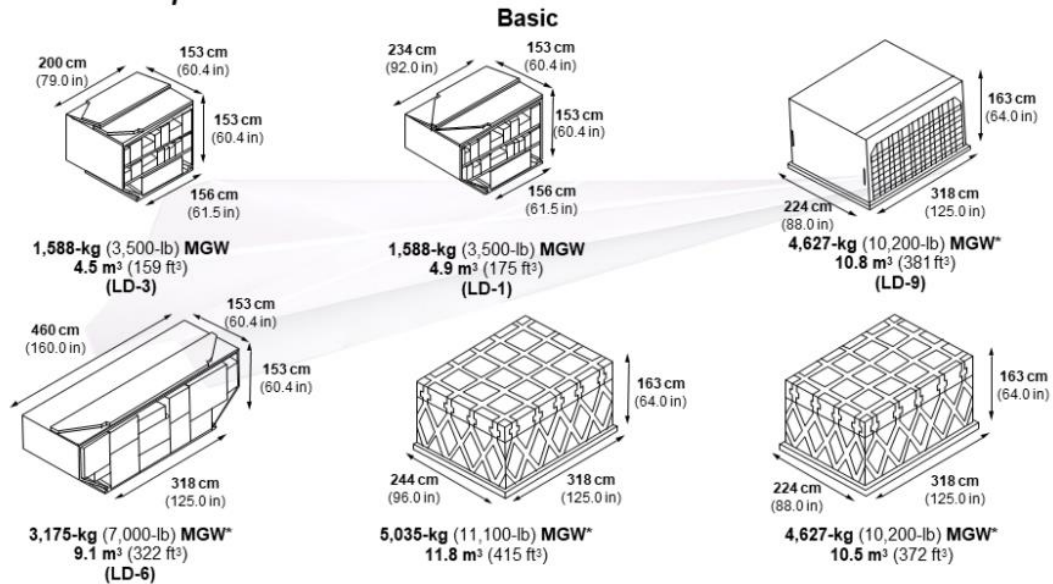
Lower cargo compartment door



747-400/-400ER Freighter

Lower hold capability

Containers and pallets



* Maximum gross weights shown are based on lower hold running load capability, 21 kg/cm (116 lb/in), subject to overall airframe structural limits.